

Imaging Plate Systems

Digital efficiency >



< Film ergonomomy

Both digital and film benefits, **together at last**

IMAGING PLATE SOLUTIONS FOR **SINGLE** OR **MULTI-USER**S



CS 7200

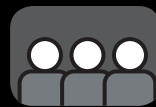
YOUR IDEAL DIGITAL CHAIRSIDE COMPANION

Compact and easy to use,
the affordable **CS 7200** is ideal
for everyday intraoral applications
and the best option for single
users and chairside exams.



THE PERFECT BALANCE OF **DIGITAL** AND **FILM**

From inventing dental film to manufacturing the first digital radiography system for dentists, Carestream Dental is the pioneer of dental imaging and an industry leader today — so no company is better equipped to develop an imaging system that combines the best features of both technologies.



CS 7600

THE INTELLIGENT SYSTEM FOR SHARED USE

Incredibly versatile imaging capabilities and a fully automated workflow make the **CS 7600** the perfect choice for multiuser practices.

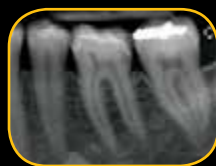
With their familiar, film-like workflows, our imaging plate systems bring the benefits of both digital and film to your practice, while providing an easy and affordable way to transition to digital technology.



OUTSTANDING IMAGE QUALITY IN SECONDS

Combining a true resolution of up to 17 lp/mm with powerful image processing abilities, Carestream Dental's imaging plate systems deliver the high image quality you need to make a confident diagnosis. And, with their wide exposure range, the plates are designed to prevent over- or under- exposure. Meanwhile, new image processing

abilities deliver perfectly contrasted, low-noise images, and three scanning modes ensure you get your desired image every time. For further empowerment, our imaging software also includes preprogrammed anatomic filters to help you attain the perfect image for your specific diagnostic needs.

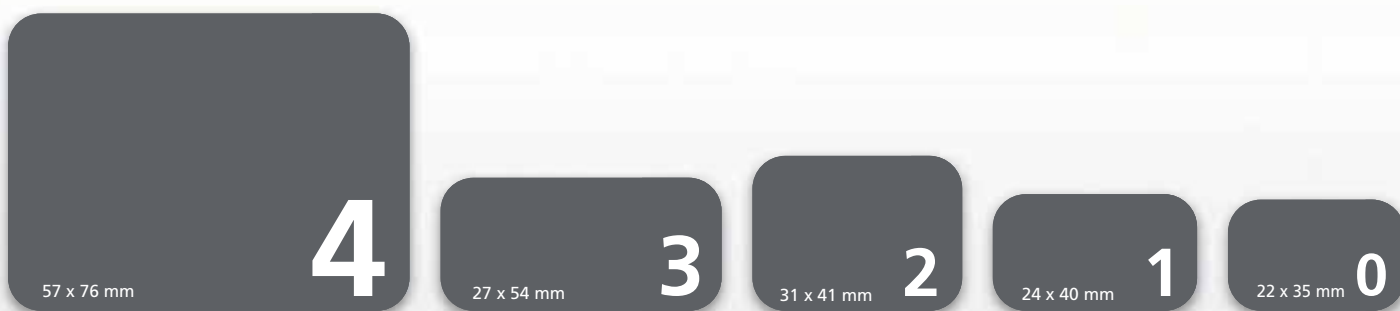
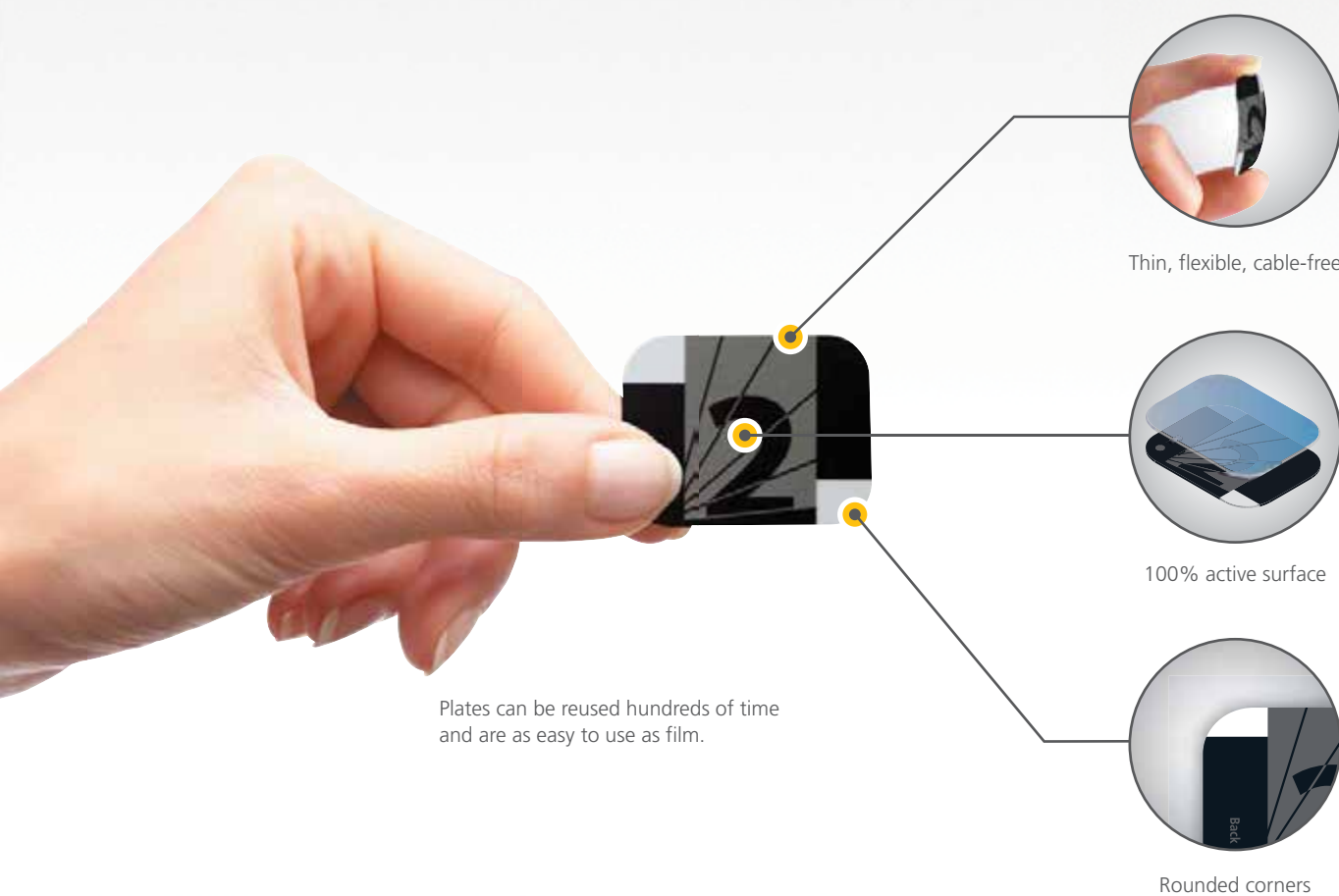


Imaging plates produce sharp images with exceptional details and high contrast.

DIGITAL FOR FILM ENTHUSIASTS

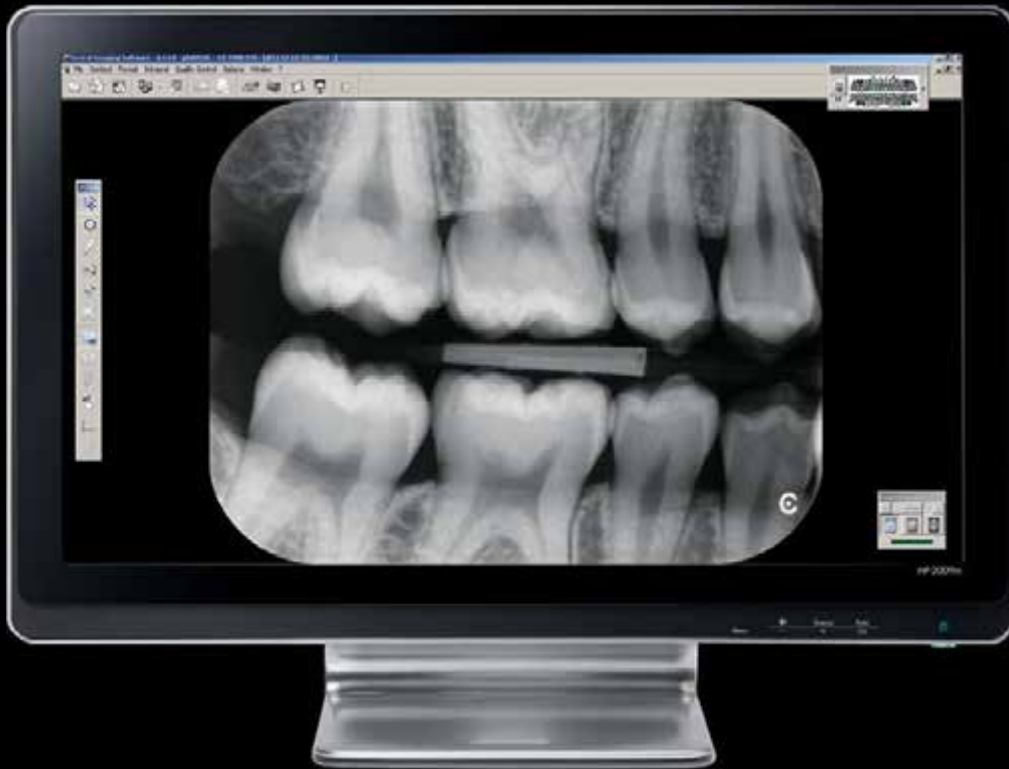
Carestream Dental's imaging plate systems make it easy for any practice to transition to digital. Our units feature a film-like workflow that requires minimal training and will integrate smoothly into your daily practice, while the thin, flexible plates are available in the same sizes as our films. Plus, since the plates have no cable, they're as easy to position as film—and patients find them just as comfortable as film.

While plate technology shares many characteristics with film, it also provides the benefits of digital. Your practice will reap the rewards of a more efficient workflow immediately, as well as eliminate messy chemicals and long processing times. In fact, with proper handling, a single plate can be used hundreds of times. Given your reduced costs and the time you'll save, it's easy to see why our imaging plate systems are a cost-effective option for any practice.



Comfortable plates are available in sizes similar to film to better fit your patients.*

* Sizes 3 and 4 only available for the CS 7600



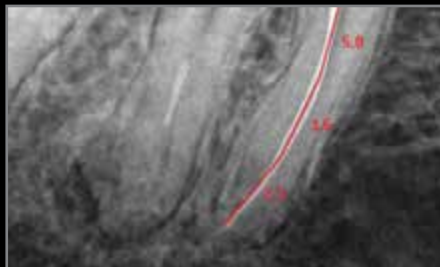
POWERFUL IMAGING SOFTWARE

Whether used alone or integrated with your practice management solution, Carestream Dental's imaging software serves as the control panel for all of our 2D and 3D digital imaging systems and is compatible with our CAD/CAM solutions. The software is easy to integrate and use—making image analysis quick and simple.

With its powerful image processing tools and user-friendly interface, the software makes adjusting and reviewing images intuitive. It also helps image sharing with colleagues and insurance companies, while persuasive radiographs enhance patient communication and increase treatment acceptance.



Powerful image processing tools enhance image contrast in a single click.



Easily take precise measurements and annotate/highlight areas of interest.



Access all images directly from Carestream Dental's imaging software.

QUICK FEATURE COMPARISON



	CS 7200	CS 7600
Use	Chairside / Single user	Shared / Multi-users
Max. true resolution	17 lp/mm	17 lp/mm
Plate sizes	0-1-2	0-1-2-3-4
Examinations	Pediatric Periapical Bitewing	Pediatric Periapical Bitewing Long Bitewing True occlusal
Time to first image	8 sec.	5 sec.
LCD screen with user instructions	-	✓

DURABLE, REUSABLE PLATES

The durable plates can be reused hundreds of times and—when needed—replacements plates are reasonably priced. Additional plates can also be purchased in multiple sizes.



ACCESSORIZE YOUR SYSTEM

Make the most of your imaging system with the right accessories, including multiple sizes of plates, as well as a storage box and hygienic sheaths to prevent cross-contamination and protect plates from scratches and light.



CS 7200

YOUR IDEAL DIGITAL CHAIRSIDE COMPANION

As our most affordable imaging plate system, the compact CS 7200 is the perfect solution for everyday intraoral applications and chairside use. And, with a true resolution of 17 lp/mm, the CS 7200 doesn't compromise image quality.



KEY FEATURES

- For daily intraoral needs
- True resolution 17 lp/mm (max)
- Slim, space-saving design
- Quiet scanning
- For chairside use

A SIMPLE WORKFLOW—NO CLICKS REQUIRED

With the CS 7200's intuitive workflow, the unit is designed for maximum simplicity, so you can stay focused on your patients. You simply take the x-ray, scan the plate, and the CS 7200 does the rest. Images open on your computer

screen—no clicks required—and the plate automatically erases so it can be reused. And, if a plate is inserted upside down, the unit recognizes the mistake without erasing the image.

SLIM, SIMPLE, AND QUIET

The CS 7200's slim, compact design makes it perfect for chairside scanning. Connect the stylish unit directly to your computer via a USB connection and you're ready to go. The scanner is fast and easy to use—allowing you to perform everyday intraoral examinations without ever moving away from your stool. And, with its quiet scanning, the CS 7200 provides a more comfortable exam and better overall experience for your patients.

AFFORDABLE QUALITY

Available in three plate sizes, the CS 7200 covers all of your routine intraoral indications and, at 17 lp/mm, offers a true image resolution well above other imaging plate systems. The system also features three scanning modes and multiple anatomical filters so you can generate the right image for your diagnostic needs—putting superb images at your fingertips.



Three plate sizes cover periapical, bitewing, and pediatric exams.



Unit detects if plates are inserted upside down.



Capture images, scan plates, and review images all from the dental chair.

CS 7600

THE INTELLIGENT SYSTEM THAT'S DESIGN FOR **SHARED USE**

With a fully automated workflow that's ideal for multi-user practices, the CS 7600 sets a new standard for imaging plate systems. Featuring Carestream Dental's "Scan & Go" technology, the unit automates tasks so that mistakes become a thing of the past.



KEY FEATURES

- For all intraoral indications
- True resolution 17 lp/mm (max)
- "Scan & Go" technology
- LCD color monitor
- Built-in memory
- For shared or chairside use



DISCOVER A MORE INTELLIGENT AND SECURED WORKFLOW

The CS 7600 features a more intelligent workflow that improves multi-user experience. Our "Scan & Go" technology allows you to electronically identify plates prior to an exam. The plates have an electronic chip that attaches the patient's information to any associated images. During the scan, the system automatically

recognizes these images and sends them to the appropriate computer and patient file without any interaction with the user. Plates can be scanned in any order with no worries of mix-ups or user error, and plates are automatically erased and available for reuse once they are scanned.

ALWAYS AVAILABLE

Designed to promote shared use, the CS 7600 is always ready to go. There's no need to reserve the unit or block it from others while you are scanning. To eliminate bottlenecks, multiple users can use the system for multiple patients—all at the same time. With "Scan & Go" technology, plates can be mixed between patients or users and the images will still be sent to the correct location—you don't have to do a thing.

USER-FRIENDLY OPERATION

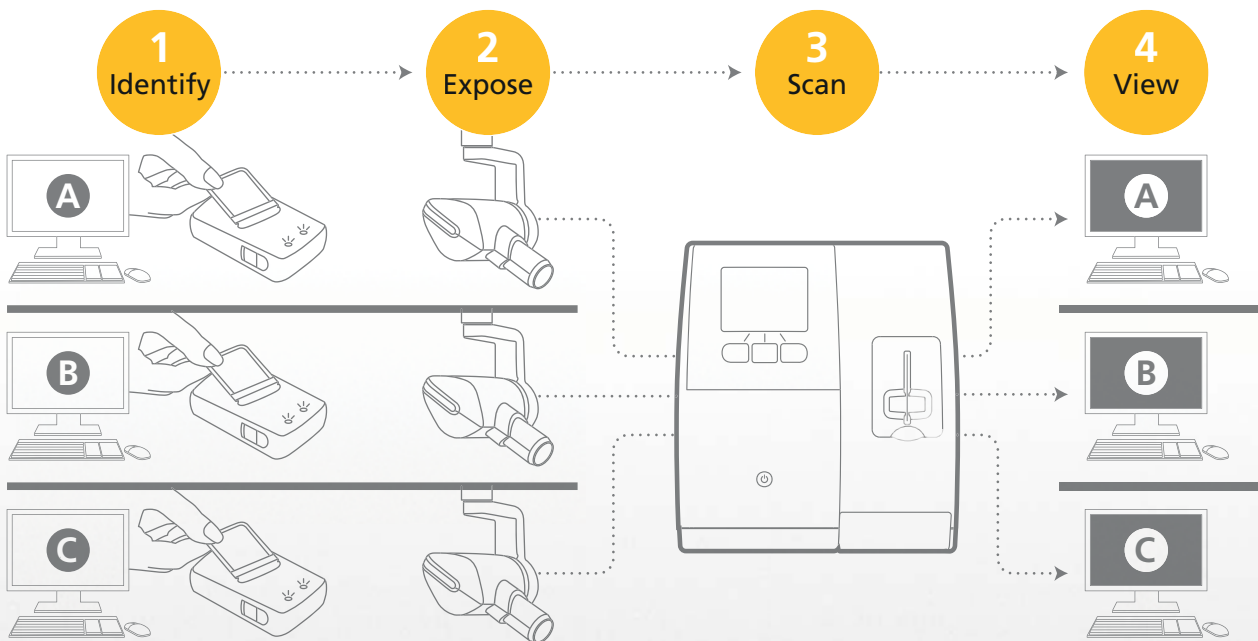
The CS 7600's built-in color monitor provides clear, easy-to-follow instructions and messages, as well as the ability to preview images directly on the unit for instant feedback on the success of the exam. The unit can even detect whether a plate is inserted upside down without erasing the image. And, the unit's built-in memory protects against data loss—so you can continue scanning if your computer is off or you experience network failure.



The CS 7600 supports all plate sizes, including size 3 for long bitewing radiographs and size 4 for true occlusal exams.



Special microchip within plate embeds exam information within the associated image files.



With Scan & Go technology, plates are pre-identified and images automatically routed to the correct computer and patient file.

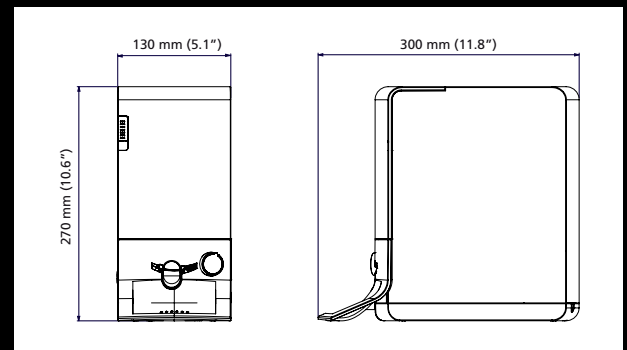
TECHNICAL SPECIFICATIONS

	CS 7200	CS 7600
Theoretical resolution (max)	25 lp/mm	
True resolution (max)*	17 lp/mm	
Imaging plate sizes (height x width)	Size 0 – 22 x 35 mm Size 1 – 24 x 40 mm Size 2 – 31 x 41 mm	Size 0 – 22 x 35 mm Size 1 – 24 x 40 mm Size 2 – 31 x 41 mm Size 3 – 27 x 54 mm Size 4 – 57 x 76 mm
Power supply	100–240 V (ac) 50/60 Hz, 1.2 A	100–240 V (ac), 50/60 Hz, 1.5 A
Plate erasing	Automatic	
Time to first image	As little as 8s. for one image	As little as 5s. for one image
Connectivity	USB	Ethernet
System dimensions (W x H x D)	130 x 270 x 300 mm	237 x 267 x 260 mm
Weight	3.5 kg	Approx. 6 kg

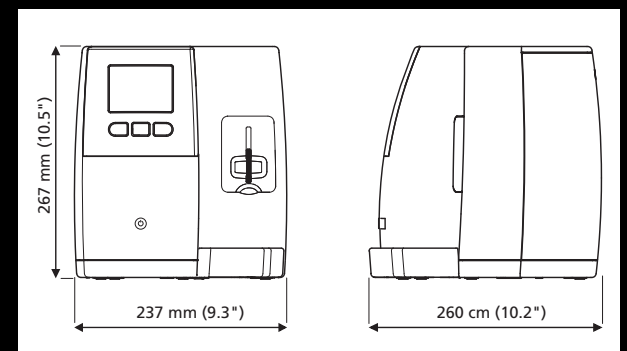
* True resolution measured on grid resolution target, in scan direction.

LP/mm: Line pairs per millimeter.

CS 7200



CS 7600



SUPPORT YOU CAN COUNT ON

Like all of our products, CS imaging plate systems are backed by Carestream Dental's expertise, with services provided through our support team or our certified dealers. With the remote services available for your system, our support team can even diagnose issues, perform configurations, and upgrade your software remotely—minimizing maintenance costs and system downtime.

A SAFE INVESTMENT

To protect your investment, our imaging plate system includes a standard replacement warranty, with extended options available for long-term peace of mind.

Would you like to know more?

Visit www.carestreamdental.com or contact your local authorized dealer.